

Clinical Kinesiology²

Christopher Beardall, DC, Dipl. Ac.

Chiropractic Physician

Western States Chiropractic College 1993

Master of Acupuncture & Oriental Medicine

Oregon College of Oriental Medicine 1998

Bachelor of Science Biology

University of Portland 1992

- RAND Corporation 1993-1994
- World Health Organization Internship –
Nanjing TCM University

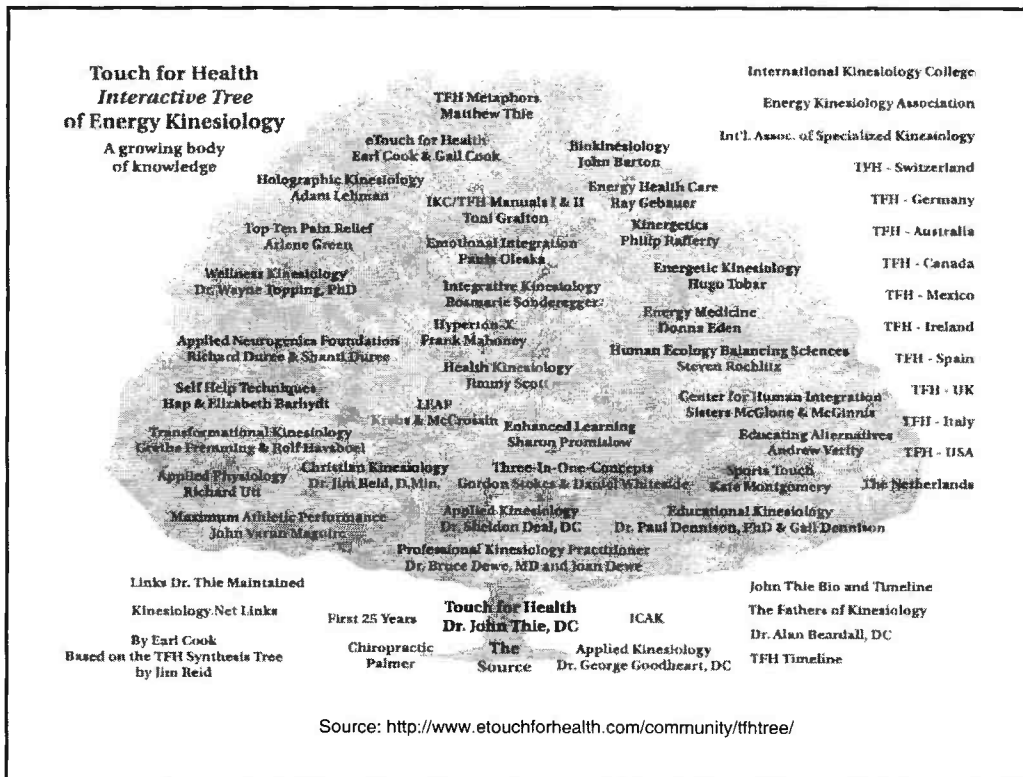
- Kinesiologist
- 2nd Generation Chiropractor
- Born – Son of Alan G. Beardall, DC

Alan G. Beardall, DC

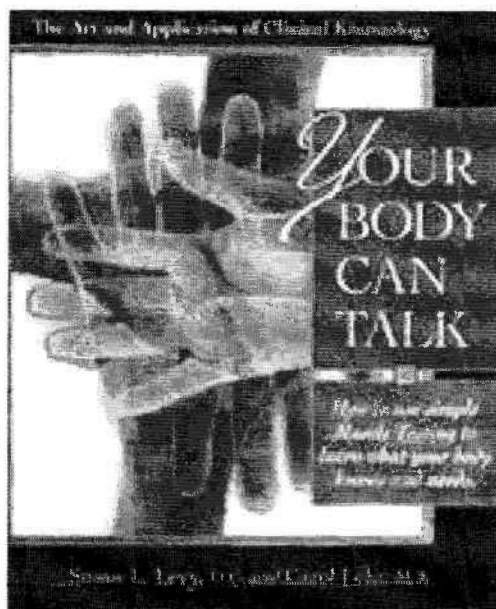


IN MEMORY OF
September 20, 1938 - December 1, 1987

Copyright 2008 Christopher Beardall, DC, Dipl. Ac.



- **Your Body Can Talk:**
**How to Use Simple
Muscle Testing to
Learn What Your
Body Knows and
Needs : The Art and
Application of
Clinical Kinesiology**



- Volume I covers the 23 muscles that link the rib cage and the pelvis. Volume covers all the low back muscles



- Volume II covers the 47 muscles that link the crest of the ilium and the knee including several clinically significant muscle divisions not commonly defined



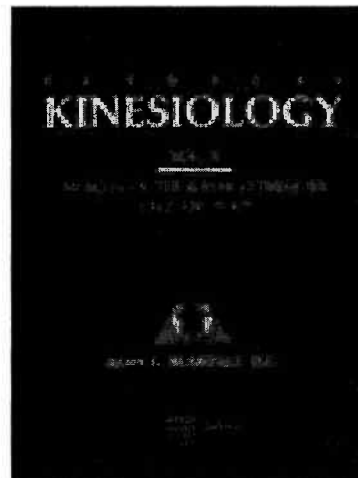
- Volume III covers the 31 muscles that link the mandible and hyoid as a functional unit. It also includes a complete section on cranial manipulation and an introduction to the biocomputer philosophy of Clinical Kinesiology.



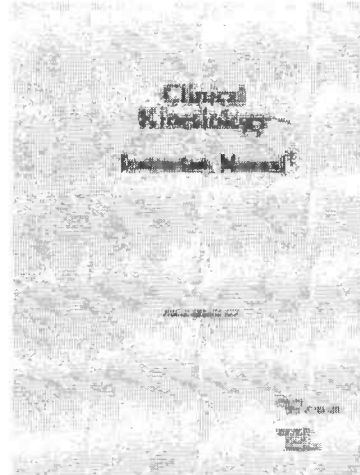
- Volume III covers the 31 muscles that link the mandible and hyoid as a functional unit. It also includes a complete section on cranial manipulation and an introduction to the biocomputer philosophy of Clinical Kinesiology.



- Volume V covers the 52 muscles of the lower extremities from the knee to the toes. Several muscles have been renamed for more efficient understanding of muscle function. The volume includes a comprehensive cross-reference guide of all muscles, relationships to vertebral levels and cranial associations contained in all five volumes. Volume V include a unique testing sequence for efficient examination purposes



- The Instruction Manual introduces the reader to the Biocomputer model, philosophy, and concepts of Clinical Kinesiology. A preliminary sampling of hand modes and their usage, various group muscle tests, gait tests, cloacals, and acupuncture charts that are utilized in the specific.



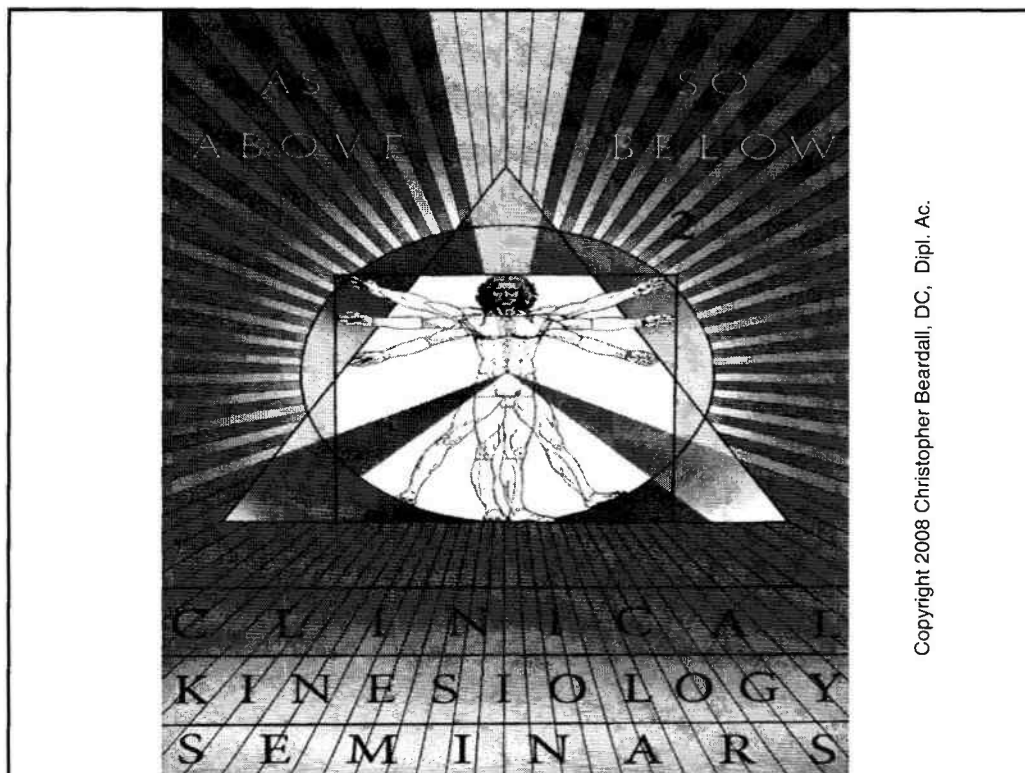
- A comprehensive handmode manual that includes over 400 handmodes and illustrations. It includes over 2,500 submodes. All Clinical Kinesiology therapies are included. A complete index and table of contents. All the information is compressed into a small binder easy for traveling.. “A must have for any kinesiologist.”

**CLINICAL
KINESIOLOGY
TRAVEL
MANUAL**

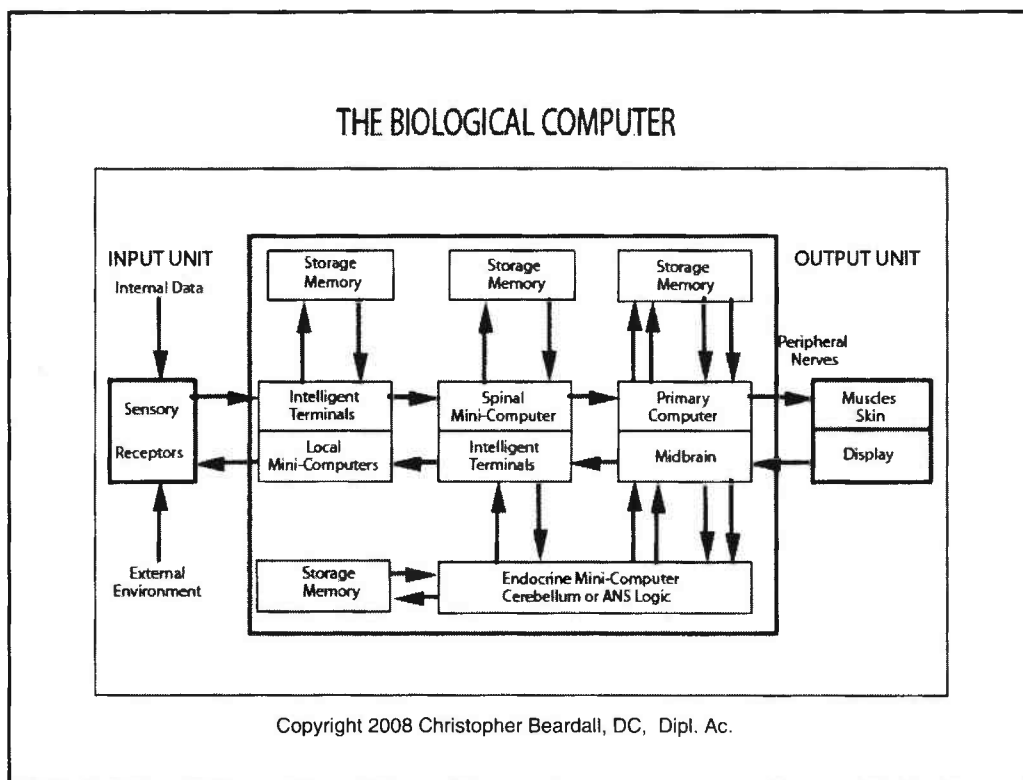
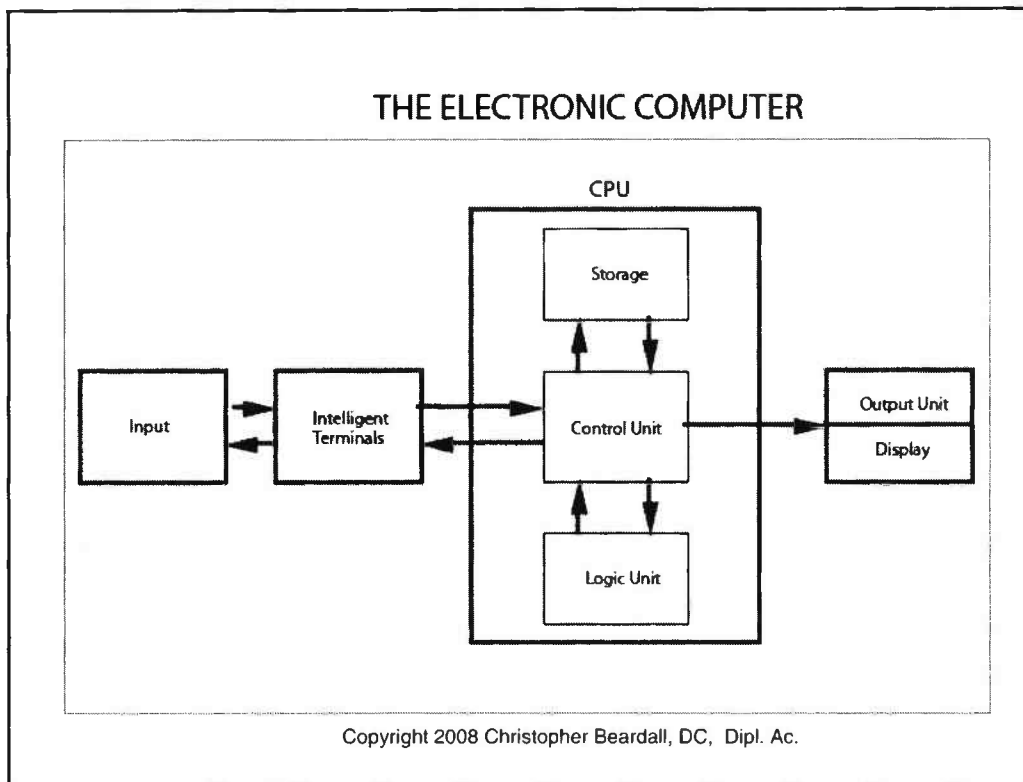
2nd Edition
Copyright 2008 by Christopher Beardall, DC
and Robert Shane

Christopher Beardall, DC
All inquires should be addressed to
Christopher Beardall, DC, Dipl. Ac.
1551 N Pacific Hwy
Woodburn, OR 97071
(503) 982-6925
Email Beardall@hotmail.com

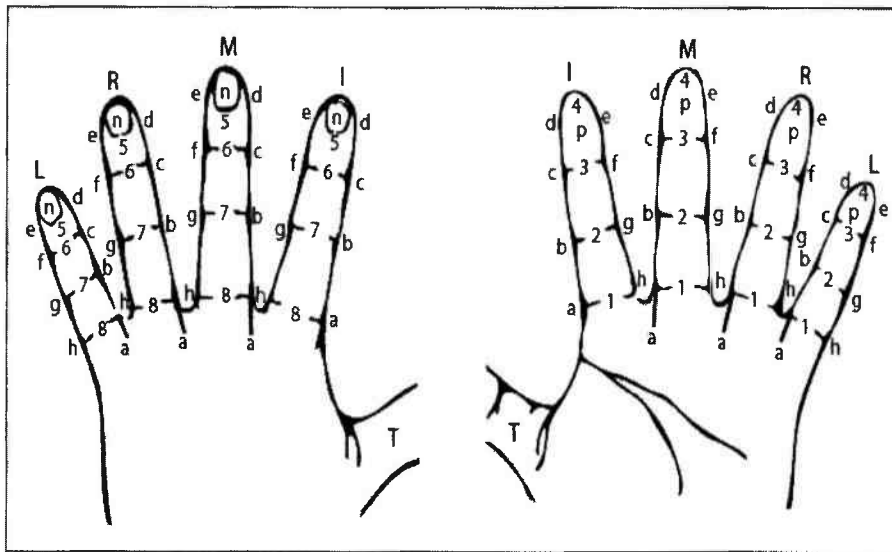
Blueprint to the Human Body



Copyright 2008 Christopher Beardall, DC, Dipl. Ac.

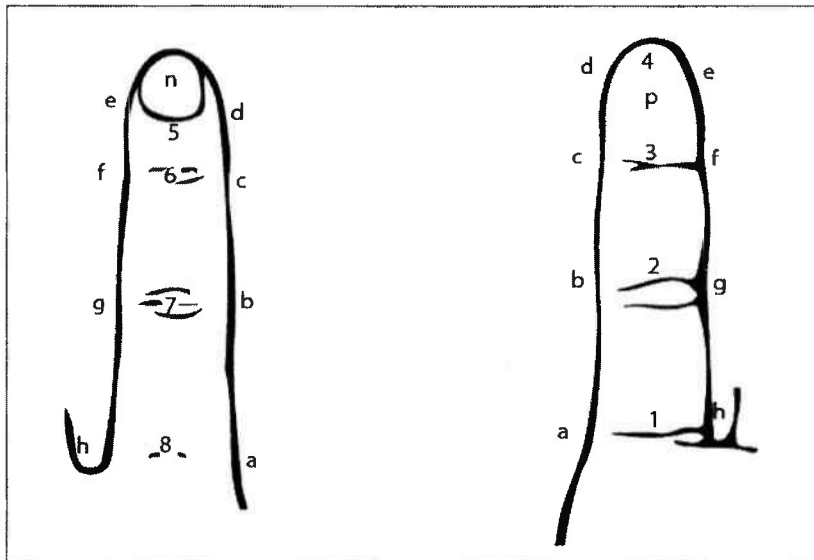


Handmode Nomenclature - Hands



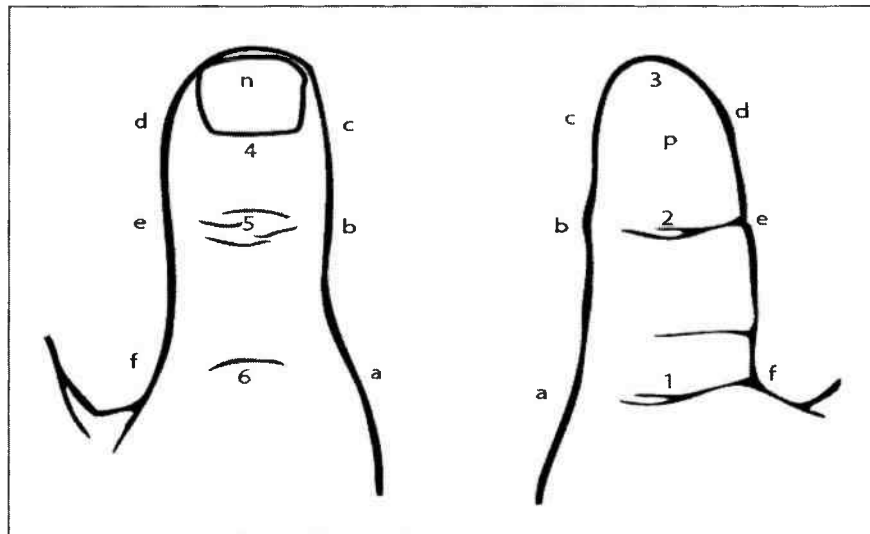
Copyright 2008 Christopher Beardall, DC, Dipl. Ac.

Handmode Nomenclature - Fingers



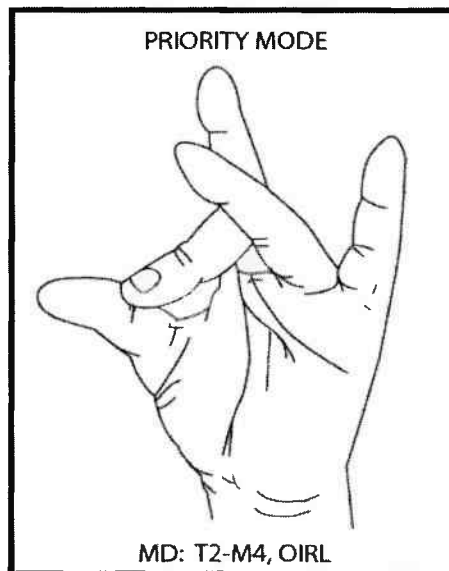
Copyright 2008 Christopher Beardall, DC, Dipl. Ac.

Handmode Nomenclature – Thumb



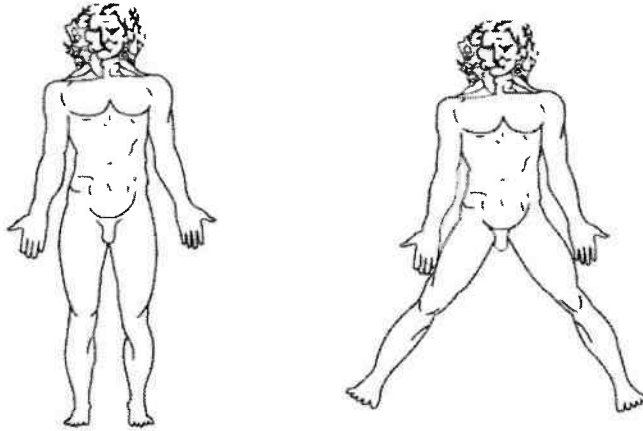
Copyright 2008 Christopher Beardall, DC, Dipl. Ac.

Handmode



Copyright 2008 Christopher Beardall, DC, Dipl. Ac.

BIOCOMPUTER LOCK



Abduction of the femurs puts the displaying or presently processing files on hold.

This process is referred to as computer locking (CL).

Copyright 2008 Christopher Beardall, DC, Dipl. Ac.

Thank You For Attending

- Contact Us

www.clinicalkinesiology.com

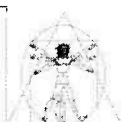
Beardall@hotmail.com

Toll Free

• 1-877-4CK-BEAR DALL

1-877-425-2327

1-877-



-